

## ARTICULO: 2026

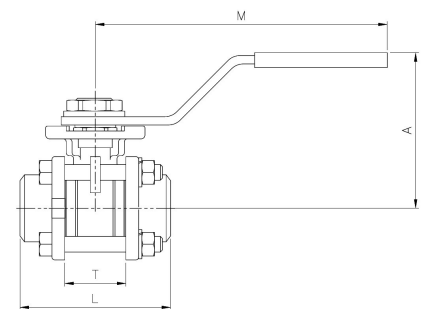
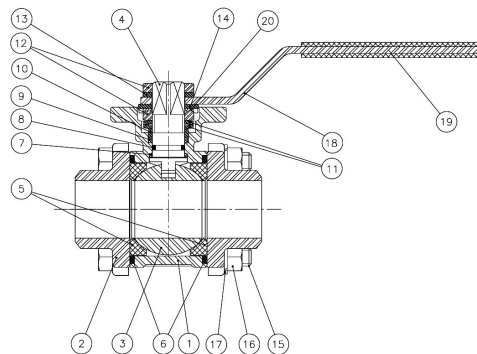
### Válvula de esfera paso total 3 piezas Inoxidable Stainless steel full port ball valve, 3 pieces

#### Características

1. Válvula esfera paso total 3 piezas
2. Extremos para soldar Butt Weld ANSI B 16.25.
3. Construcción en acero inox. 1.4408 (CF8M).
4. Asientos PTFE + 15 % Fibra de Vidrio.  
(otro material consultar)
5. Tórica en el eje de FKM (Viton).
6. Juntas del eje PTFE + 15 % Grafito.
7. Sistema de bloqueo.
8. Montaje actuador directo s/ ISO 5211.
9. Eje inexpulsable.
10. Presión de trabajo máxima 63 bar.
11. Temperatura de trabajo  $-25\text{ }^{\circ}\text{C} + 180\text{ }^{\circ}\text{C}$ .

#### Features

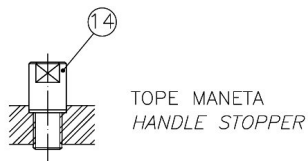
1. *Stainless steel full port ball valve, 3 pieces.*
2. *Butt Weld ends according to ANSI B 16.25 Std.*
3. *Made of stainless steel 1.4408 (CF8M).*
4. *Ball seats PTFE + 15 % G.F.*  
*(please ask for other materials)*
5. *O'ring in the stem FKM (Viton).*
6. *Stem gasket PTFE + 15 % Graphite.*
7. *Locking system.*
8. *Direct mounting actuator acc. to ISO 5211.*
9. *Blow-out proof stem.*
10. *Max. Working pressure 63 bar.*
11. *Working Temperature  $-25\text{ }^{\circ}\text{C} + 180\text{ }^{\circ}\text{C}$ .*



| Nº | Denominación / Name                     | Material                               | Acabado Superficial / Surface Treatment | Cód. Recambio Spare Part Code |
|----|---|--|---|-------------------------------|
| 1  | Cuerpo / Body                           | Acero Inox. / Stainless Steel 1.4408   | Granallado / Shot blasting              | -----                         |
| 2  | Tapa / Cap                              | Acero Inox. / Stainless Steel 1.4408   | Granallado / Shot blasting              | -----                         |
| 3* | Bola / Ball                             | Acero Inox. / Stainless Steel 1.4408   | Pulido / Polishing                      | 2907 / 2904 (4")              |
| 4* | Eje / Stem                              | Acero Inox. / Stainless Steel AISI 316 | -----                                   | 2905                          |
| 5* | Asiento / Ball Seat                     | PTFE + 15% F.V. / G.F.                 | -----                                   | 2820                          |
| 6* | Junta / Gasket                          | PTFE + grafito / graphite              | -----                                   | 2820                          |
| 7* | Arandela / Thrust Washer                | PTFE + grafito / graphite              | -----                                   | 2820                          |
| 8* | Tórica / O'ring                         | FKM                                    | -----                                   | 2820                          |
| 9* | Empaquetadura / Stem packing            | PTFE                                   | -----                                   | 2820                          |
| 10 | Anillo Prensa / Gland                   | Acero Inox. / Stainless Steel AISI 304 | -----                                   | -----                         |
| 11 | Arandela Belleville / Belleville Washer | Acero Inox. / Stainless Steel AISI 301 | -----                                   | -----                         |
| 12 | Tuerca / Nut                            | Acero Inox. / Stainless Steel AISI 304 | -----                                   | -----                         |
| 13 | Arandela / Washer                       | Acero Inox. / Stainless Steel AISI 304 | -----                                   | -----                         |
| 14 | Tope / Stopper                          | Acero Inox. / Stainless Steel AISI 304 | -----                                   | -----                         |
| 15 | Tornillo / Bolt                         | Acero Inox. / Stainless Steel AISI 304 | -----                                   | -----                         |
| 16 | Tuerca / Nut                            | Acero Inox. / Stainless Steel AISI 304 | -----                                   | -----                         |

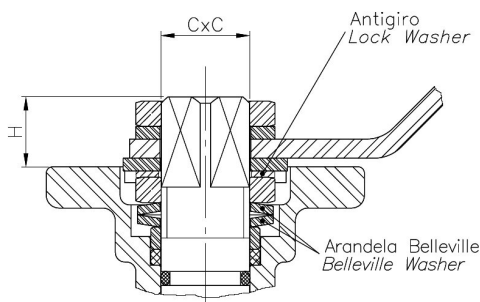
| Nº | Denominación / Name             | Material                               | Acabado Superficial / Surface Treatment | Cód. Recambio Spare Part Code |
|----|---------------------------------|--|---|-------------------------------|
| 17 | Arandela Grover / Grover washer | Acero Inox. / Stainless Steel AISI 304 | -----                                   | -----                         |
| 18 | Maneta / Handle                 | Acero Inox. / Stainless Steel AISI 304 | -----                                   | -----                         |
| 19 | Funda / Handle Sleeve           | Vinilo / Vynil                         | -----                                   | -----                         |
| 20 | Antigiro / Lock Washer          | Acero Inox. / Stainless Steel AISI 304 | -----                                   | -----                         |

\* Piezas de recambio disponibles / Available spare parts



Únicamente en medidas de 2 ½" a 4" / For 2 ½" – 4" Sizes Only

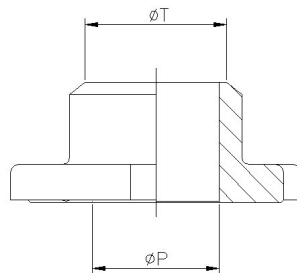
### Detalle de la zona de Eje / Stem detail



**Antigiro / Lock Washer:** Previene el desajuste de la tuerca del eje en elevados ciclos de maniobra / Prevents unthreading of stem nut in high cycle automation applications.

**Arandela Belleville / Belleville Washer:** Las arandelas belleville proporcionan una carga constante sobre el prensa asegurando un cierre firme en variaciones de condiciones de trabajo. / Standard belleville washers provide constant "live load" on the stem seals, assuring a tight seal even varying service parameters.

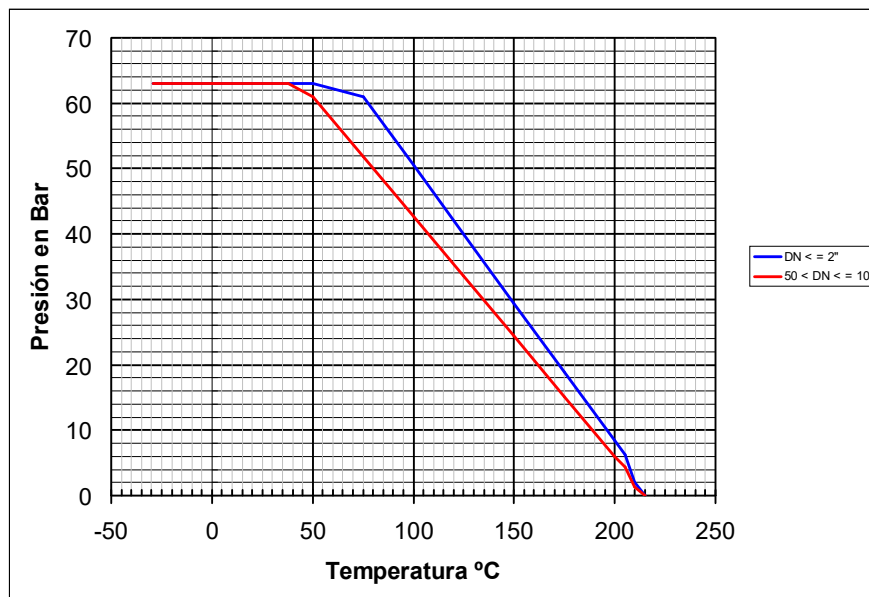
### Extremo para soldar según ANSI B 16.25 / Butt Weld ends According ANSI B 16.25



## DIMENSIONES GENERALES / GENERAL DIMENSIONS

| Ref     | Medida / Size | PN | Ø P  | Ø T  | Dimensiones / Dimensions (mm) |      |     |       |    |         |           | Peso / Weight (Kg) |
|---------|---------------|----|------|------|-------------------------------|------|-----|-------|----|---------|-----------|--------------------|
|         |               |    |      |      | A                             | L    | M   | T     | H  | C x C   | ISO 5211  |                    |
| 2026 02 | 1/4"          | 63 | 11   | 13   | 60                            | 47.6 | 112 | 23    | 10 | 9 x 9   | F03       | 0,370              |
| 2026 03 | 3/8"          | 63 | 12.7 | 14.7 | 60                            | 47.6 | 112 | 23    | 10 | 9 x 9   | F03       | 0,370              |
| 2026 04 | 1/2"          | 63 | 15   | 17   | 60                            | 55   | 112 | 24    | 11 | 9 x 9   | F03 / F04 | 0,440              |
| 2026 05 | 3/4"          | 63 | 20   | 22   | 70                            | 73   | 138 | 30    | 11 | 11 x 11 | F04 / F05 | 0,810              |
| 2026 06 | 1"            | 63 | 25   | 28   | 70                            | 81   | 138 | 33.5  | 11 | 11 x 11 | F04 / F05 | 0,990              |
| 2026 07 | 1 ¼"          | 63 | 32   | 35   | 88                            | 91   | 160 | 41.5  | 15 | 14 x 14 | F05 / F07 | 1,770              |
| 2026 08 | 1 ½"          | 63 | 40   | 43   | 94                            | 103  | 205 | 51.5  | 15 | 14 x 14 | F05 / F07 | 2,350              |
| 2026 09 | 2"            | 63 | 50   | 54   | 100                           | 120  | 205 | 63    | 15 | 14 x 14 | F05 / F07 | 3,280              |
| 2026 10 | 2 ½"          | 63 | 65   | 69   | 150                           | 155  | 330 | 83.5  | 19 | 17 x 17 | F07 / F10 | 8,550              |
| 2026 11 | 3"            | 63 | 80   | 89   | 165                           | 182  | 330 | 100   | 19 | 17 x 17 | F07 / F10 | 11,850             |
| 2026 12 | 4"            | 63 | 100  | 105  | 175                           | 229  | 340 | 118.5 | 19 | 17 x 17 | F07 / F10 | 20,300             |

## **CURVA PRESION TEMPERATURA / PRESSURE TEMPERATURE RATING**



## **VALORES DE Kv / Kv VALUES**

Kv = Es la cantidad de metros cúbicos por hora que pasará a través de la válvula generando una pérdida de carga de 1 bar.

*Kv = Flow rate of water in cubic meter per hour (m<sup>3</sup>/h) that will generate a pressure drop of 1 bar across the valve.*

| 1/4" | 3/8" | 1/2" | 3/4" | 1" | 1 ¼" | 1 ½" | 2"  | 2 ½" | 3"   | 4"   |
|------|------|------|------|----|------|------|-----|------|------|------|
| 6    | 10   | 24   | 43   | 83 | 130  | 205  | 340 | 520  | 1100 | 1820 |

